

**Motic®**

# AE20/21

## Motic Inverted Microscopes

Combining Motic's own Colour Corrected Infinity Optical System with an innovative ergonomical design, the AE20/21 makes inverted microscopy simple and affordable.



AE21

# Colour Corrected Infinity Optical System

Motic's own CCIS maximizes optical clarity and scalability of the entire microscope. Future accessories or additions can be added without any detrimental effect on the optical system. Optional accessories are offered for Phase Contrast microscopy. The head is available in Binocular (AE20) and Trinocular (AE21) versions with the latter having a built-in slider to control the light path to either the binocular tubes or the trinocular output.

Both versions are equipped with WF10x/20mm eyepieces giving an impressive wide field of view.



EPlan Achromat Objectives



Eyepieces



## Phase contrast microscopy

Motic's CCIS Phase EPlan Achromat objectives coupled with a simple phase slider provide outstanding contrast images for even the most demanding applications.

For a quick and easy change of magnification, two annular rings are provided in the centerable phase slider. The center position of the slider is for brightfield microscopy.

## Objective Chart

	Types	N.A.	Working Distance
CCIS EPlan Achromat Objectives	4X ∞	0.1	14.2
	10X ∞	0.25	6.3
	LWD 20X ∞	0.4	5.5
	LWD 40X ∞	0.6	2.1
CCIS EPlan Achromat Phase Objecives	Ph 10X ∞	0.25	6.3
	LWD Ph 20X ∞	0.4	5.5
	LWD Ph 40X ∞	0.6	2.1

Unit: mm



Phase Slider



40X Phase Ring



N.A.0.30 Condenser



Centering Telescope



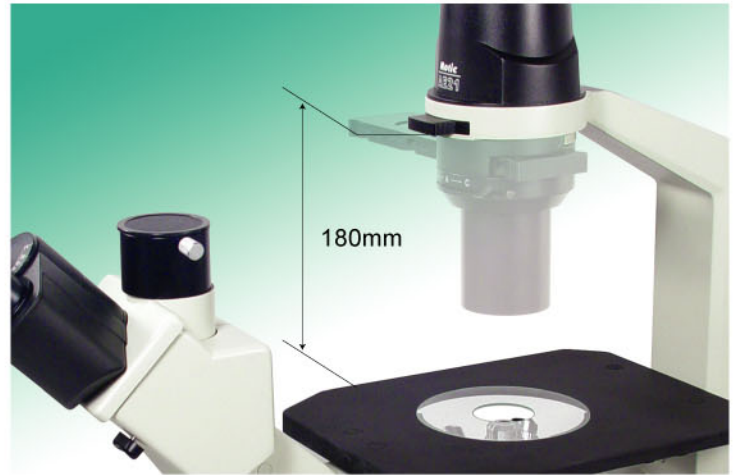
CCIS EPlan Achromat Phase Objectives

## The light source

The AE20 series Motic microscope features a class-leading 6V/30W quartz halogen illumination system providing bright and even illumination at any magnification.



LED Light intensity indicator

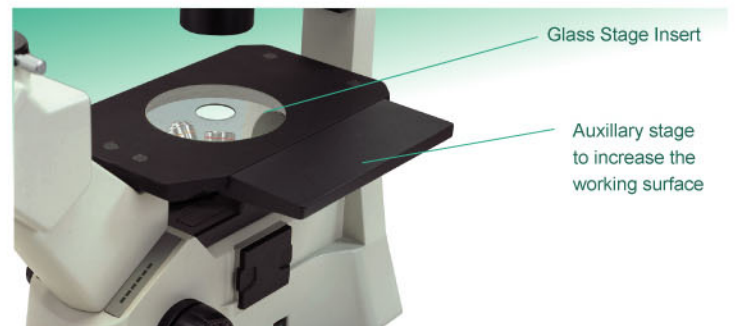


This precentered system features a removable condenser allowing for flasks and petri dishes as high as 180mm to be accommodated on the stage

## Stage and accessories

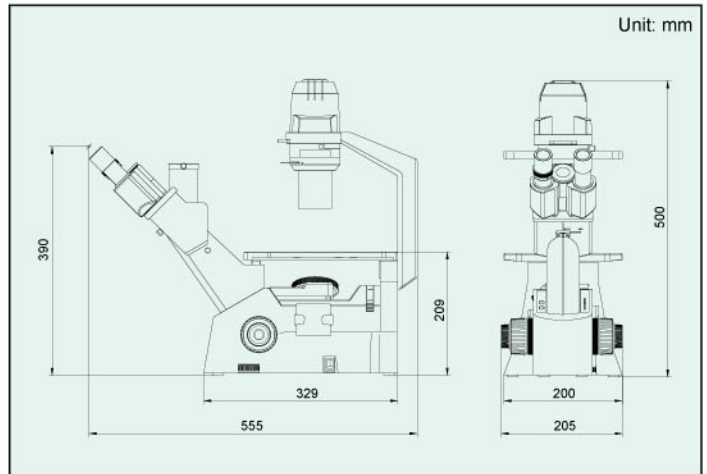
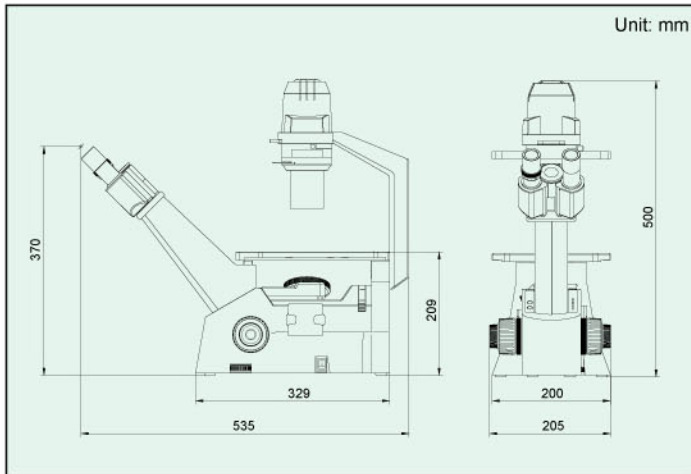
The microscope is delivered with a fixed stage plate as standard. Auxiliary plates are available so that the stage can be enlarged on both sides. A hard-coating protects the stage from abrasion and wear. Changing objectives is made more comfortable as the tempered glass stage insert allows for the nosepiece to be viewed during operation without having to remove the specimen from the stage.

An optional attachable precision mechanical stage with low-position coaxial controls is also available as are several inserts and petri dish holders making the AE20/21 a truly versatile inverted microscope.



The objective in use can easily be seen through the large glass stage insert.

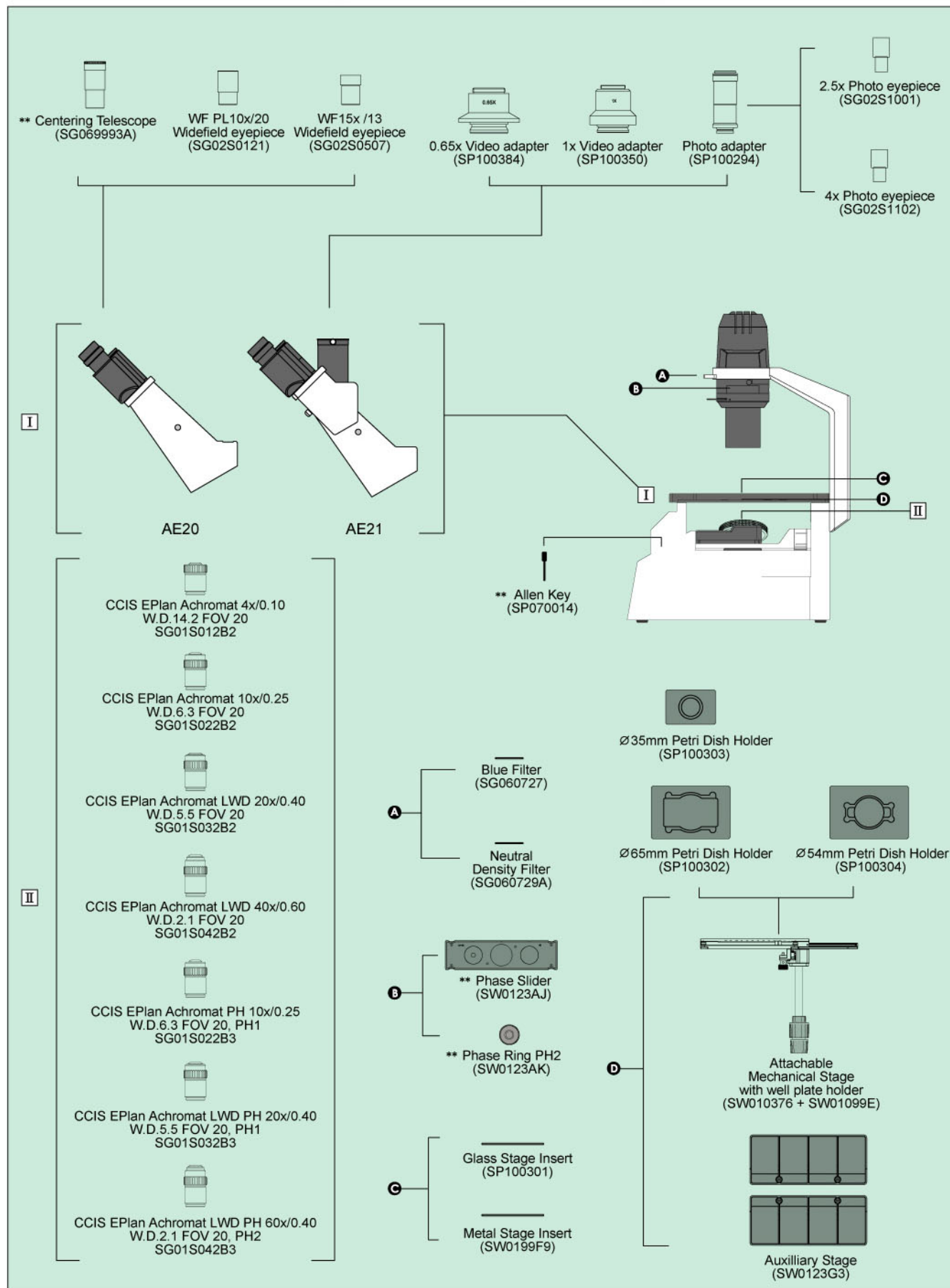
## Dimensions



## AE20/21 Configuration

AE20 inverted microscope main body consists of	Binocular eyepiece tube, plain stage, quadruple revolving nosepiece N.A. 0.30 condenser (WD 72mm) with halogen illumination 6V/30W	
AE21 inverted microscope main body consists of	Trinocular eyepiece tube, plain stage, quadruple revolving nosepiece N.A. 0.30 condenser (WD 72mm) with halogen illumination 6V/30W	
Eyepiece Lenses	Widefield higheyepoint WF 10x / 20mm	SG02S0121
	Widefield higheyepoint WF WF15x / 13mm	SG02S0507
Objective Lenses	CCIS EPlan Achromat 4x/0.10, W.D.14.2 FOV 20	SG01S012B2
	CCIS EPlan Achromat 10x/0.25, W.D.6.3 FOV 20	SG01S022B2
	CCIS EPlan Achromat LWD 20x/0.40, W.D.5.5 FOV 20	SG01S032B2
	CCIS EPlan Achromat LWD 40x/0.60, W.D.2.1 FOV 20	SG01S042B2
	CCIS EPlan Achromat PH 10x/0.25, W.D.6.3 FOV 20, PH1	SG01S022B3
	CCIS EPlan Achromat LWD PH 20x/0.40, W.D.5.5 FOV 20, PH1	SG01S032B3
	CCIS EPlan Achromat LWD PH 40x/0.40, W.D.2.1 FOV 20, PH2	SG01S042B3
Phase Contrast Attachment	Centerable PH slider supplied with phase ring PH1	SW0123AJ
	Phase Ring PH2	SW0123AK
	Centering telescope	SG069993A
Photo Adapters	Photo adapter with 2.5x photo eyepiece	SP100294+SG02S1001
	4x photo eyepiece	SG02S1101
Video Adapters	0.65x Video adapter	SP100384
	1x Video adapter	SP100350
Stage & Holders	Glass stage insert	SP100301
	Metal stage insert	SP0199F9
	Auxilliary stage (paired set)	SW0123G3
	Attachable mechanical stage (with well plate holder)	SW010376+SW01099E
	Hemocytometer holder	SW010233
	∅ 35mm Petri dish holder	SP100303
	∅ 54mm Petri dish holder	SP100304
	∅ 65mm Petri dish holder	SP100302
Filters	Blue glass (45mm)	SG060727
	Ground glass (45mm)	SG060729A
	Neutral density (45mm)	SG060775
	Green slider holder (45mm)	SG060747

# Motic Inverted Microscope AE20/21 System Diagram



\*\* for phase contrast microscopy

**Motic**

---

URL: <http://www.motic.com>

**Motic Incorporation Ltd. (HONG KONG)**

Rm 2907-8, Windsor House, 311 Gloucester Road, Causeway Bay, Hong Kong  
Tel: 852-2837 0888

**Motic Instruments Inc. (CANADA)**

180-4320 Viking Way Richmond, B.C. V6V 2L4 Canada  
Tel: 1-877-977 4717

**For inquiries in UK (UK)**

Saracens House, 25 St. Margarets Green, Ipswich, IP4 2BN, Suffolk, UK  
Tel: 44-(0)-14732 81909

**Motic Deutschland GmbH (GERMANY)**

Gewerbepark Spilburg, Gebäude A42 Spilburgstrasse 1 D-35578 Wetzlar Germany  
Tel: 49-6441-210 010

**Motic Spain, S.L. (SPAIN)**

C/Pere IV, 78-84-7 Planta 08005 Barcelona Spain  
Tel: 34-93-485 1841

**Motic China Group Co., Ltd. (CHINA)**

Motic Building, Torch Hi-Tech Industrial Development Zone, Xiamen, P.R.C.  
Tel: 86-0592-310 5333

Motic China Group Co., Ltd. Copyright © 2002-2004. All Rights Reserved

**Design Change:** The manufacturer reserves the right to make changes in instrument design in accordance with scientific and mechanical progress, without notice and without obligation.



Code: SP010812