

Motic MICROSCOPES

5 years
warranty

B3 Professional
Series Microscope

Clinical &
Laboratory Microscope



B3-223ASC

▪ Anti - fungus device available ▪

Observation Tubes

Binocular Tube

Siedentopf design binocular tube can be rotated 360° inclined 30° from horizontal, and has constant tube length with graduated interpupillary adjustment from 55mm to 75mm. Diopter adjustment can be made on the left eyepiece tube ± 5 . Magnification factor 1X.

Trinocular Tube

Siedentopf design binocular body, inclined 30° from horizontal, has constant tube length with graduated interpupillary adjustment from 55mm to 75mm, vertical photo tube; two-way prism slider for 100% visual or 20% / 80% photo. Diopter adjustment can be made on the left eyepiece tube ± 5 . Magnification factor 1X.



Objective parfocal distance 45mm

Revolving Nosepiece

The ball bearing mounted reversed quintuple nosepiece has a ribbed grip for easy rotation and is positioned back closer to the microscope body for easier access to the stage area.



Condenser

Condenser

Abbe condenser N.A. 1.25 with built-in iris diaphragm permits increase of image contrast and resolution (axial).



Ball-bearing mounted triangular rail guide track mechanical stage

Stage

Rectangular 140mmX135mm surface area. 78mmX50mm cross travel range using low-positioned coaxial X and Y motion control knob on right hand side. Detachable specimen holder and scale graduated to 1mm with vernier reading to 0.1mm.

Substage

With rack and pinion focusing and centerable, circular dovetail condenser mount. Vertical movement range 28mm.



Filters

Accepts 45mm filters on field lens.
Standard filters: Blue, Green, Yellow and Frosted
Condenser Swing-out Filter Holder $\phi 32$ mm



B3 Stand

The corrosion protected aluminum die cast stand with abrasion resistant enamel finish affords protection against solvents, acids and dyes. The large base is sealed and therefore protects the illumination optics against dust. A transformer is built into the base of the stand and therefore not only provides stability because of the low-lying center of gravity, but also saves space on the bench top. The brightness can be continually adjusted by means of the control knob conveniently placed immediately below the focus controls. On/off switch with pilot lamp is on the back of the stand. The 12V/20W halogen Köhler illumination system provides bright and even illumination at all magnifications. The lamp is pre-centered and pre-focused. The field diaphragm is easily accessible from the front and makes setting of illumination easy.



Focusing Knob & Scale

Coarse and Fine Focusing

Vertical stage movement range 27mm with coarse adjustment upper limit stopper. Control knobs coaxially positioned. Movement per rotation: fine 0.2mm with 2 μ m scale increments. Coarse motion torque adjustable.

B3-220PL

Two special versions of the B3 series system microscopes for special application in the clinical and laboratory industry.

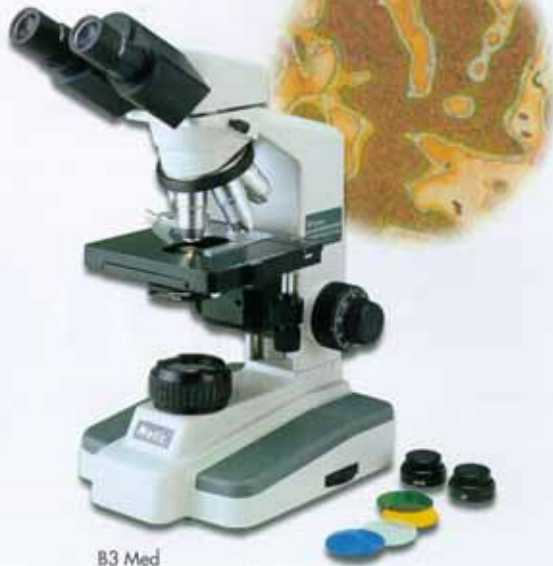


B3 ClinLab

B3 ClinLab is designed for clinical laboratories

Features

- Widefield eyepiece WF10x (FN 20)
- Objectives - Plan achromatic lenses offer a crisp, brilliant and flat field images up to the periphery of the field of view
Plan PL4x / 0.10
Plan PL10xPH / 0.25 phase contrast application
Plan PL40xPH / 0.65 spring phase contrast application
Plan PL100xPH / 1.25 oil spring phase contrast application
- Special 5-hole turret type condenser N.A. 1.25 with choices for
Brightfield
Darkfield
10x phase ring
40x phase ring
100x phase ring
- Centering telescope
- Standard blue, green, yellow and frosted filters for brightfield and phase applications



B3 Med

B3 Med for general practitioners and specialists

Features

- Widefield eyepiece WF10x (FN 20)
- Objective - Plan achromatic lenses offer a crisp, brilliant and flat field images up to the periphery of the field of view
Plan PL4x / 0.10
Plan PL10x / 0.25
Plan PL40xPH / 0.65 spring phase contrast application
Plan PL100x / 1.25 oil spring
- Plug in phase attachment 40x, an easy add on attachment to the standard condenser
- Plug in darkfield attachment, an easy add on attachment to the standard condenser enables darkfield observation from 4x through 40x
- Standard blue, green, yellow and frosted filters for brightfield and phase applications

Motic Objectives and Eyepieces

Objectives for Brightfield and Darkfield

Tube length 160mm
 Parfocal Distance 45mm
 Objective Thread Size 20.3mm (RMS)
 Tube length 160mm
 Eyepiece tube (Inside Diameter) 23.2mm



Mark No.	Achromat	Colour code for Magnification	Remarks
3001.301217	Achromat Super Contrast 4X / 0.10	Red	
3001.302217	Achromat Super Contrast 10X / 0.25	Yellow	
3001.304217	Achromat Super Contrast 40X / 0.65	Light Blue	Spring loaded
3001.306217	Achromat Super Contrast 100X / 1.25 Oil	White	Spring loaded

Mark No.	Plan Achromat	Colour code for Magnification	Remarks
3001.301222	Plan Achromat 4X / 0.10	Red	
3001.302222	Plan Achromat 10X / 0.25	Yellow	
3001.303222	Plan Achromat 20X / 0.40	Green	
3001.304222	Plan Achromat 40X / 0.65	Light Blue	
3001.305222	Plan Achromat 60X / 0.85	Blue	Spring loaded
3001.306222	Plan Achromat 100X / 1.25 Oil	White	Spring loaded

Eyepieces

Mark No.	Remarks
3002.30121	Widefield Highpower Eyepiece WF 10X / 20
3002.30103	Widefield Highpower Eyepiece WF 10X / 18
3002.30304	Widefield Eyepiece WF 15X / 12
3002.30401	Widefield Eyepiece WF 20X / 11
3002.30138	Microscope Eyepiece WF10X/18 100 divider in 10mm



Plan Objectives



Achromatic Super Contrast Objectives



Eyepieces

Mark No.

8308.000001 Phase Contrast Attachment

The Phase Contrast is useful for viewing detailed structures of unstained or living specimens. The turret condenser has four phase positions (10x, 20x, 40x, 100x), and a brightfield position with an iris diaphragm.

- Objective Phase Plan PH10x/0.25
- Objective Phase Plan PH20x/0.40
- Objective Phase Plan PH40x/0.65
- Objective Phase Plan PH100x/1.25 oil
- Phase centering telescope
- Green, blue and yellow filters for maximum contrast

3401.18338 Simple phase contrast ring 40x

3401.23818 Simple darkfield ring for low magnification darkfield effect



40X Phase Contrast Attachment
(Simple plug in type)

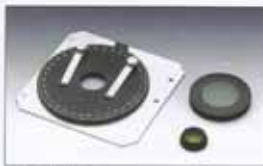


Phase Contrast Set



83 with Phase Contrast attachment

Motic[®] MICROSCOPES



Polarizing Set

Motic No. Polarizing Filter set for Transmitted light

SP08.0014 The attachment consists of a polarizing filter attached under the condenser and an analyzer placed under the eyepiece tube. A graduated rotating slider holder to attach to the mechanical stage.

Motic No. Accessories

SG06.0727	Blue filter (45mm diameter)
SG06.0726	Green filter (45mm diameter)
SG06.0728	Yellow filter (45mm diameter)
SG06.0729	Frosted filter (45mm diameter)
SB15.0001	Eyecups (pair)
SB11.0005	Dust cover
SB99.0181	Aluminum carrying case
SE06.0098	Spare halogen bulb 12V/20W
SW01.1362	Photo adaptor (2.5X)
SW01.1364	CCD adaptor (0.5X)



Aluminum carrying case

Parts

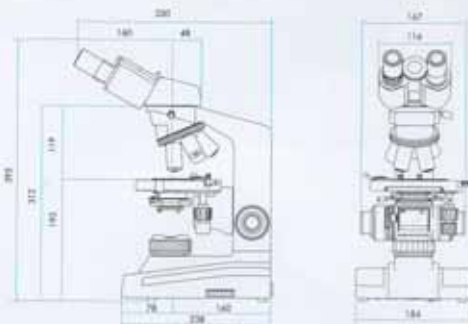
Specifications

Magnification range	40X - 1000X
Mechanical tube length	160mm
Nosepiece	Reversed quintuple revolving with ball bearings
Stage	Rectangular 140mm X 135mm surface area. Cross travel range 78mm X 50mm using low positioned coaxial control knobs.
Substage	Rock and pinion, vertical range of movement 28mm.
Condenser	Abbe 1.25 NA with aperture diaphragm. Vertically adjustable and centerable. Accepts 32mm filters.
Observation tube	Binocular 30° inclined, 360° rotatable, magnification 1X, diopter adjustment on left eyepiece tube ±5 diopter.
Trinocular photo tube	Interpupillary adjustment from 55mm to 75mm.
Illumination	Two-way prism slider for 100% visual or 20% visual / 80% photo 12V / 20W quartz halogen lamp pre-centered with field diaphragm.
	On/off switch with dimmer on right side of base
Contrasting Techniques	Phase Contrast Darkfield Polarization

Dimensions for B3 Series

B3 Series Order Code

Model No.	Order No.
B3-220ASC	PB37.511.E01
B3-223ASC	PB38.511.E01
B3-220PL	PB37.531.E01
B3-223PL	PB38.531.E01
B3 Med	PB35.591.E01
B3 Clinlab	PB35.591.E01



Five Years Warranty: All Motic instruments are warranted against defects in material and workmanship for five years. Damage resulted from repair by unauthorized parties or damage due to accident, alteration, misuse or abuse is not covered.

Warranty service is provided by Speed Fair Co., Ltd. or its authorized dealers. Defective Motic instruments covered by the warranty will be repaired free of charge when they are returned, postpaid, to Speed Fair Co., Ltd. or its authorized dealers in your region.

Design Change: The manufacturer reserves the right to make changes in instrument design in accordance with scientific and mechanical progress without notice and without obligation.

Some models may not be available in your market. Please contact your local distributor for availability.

Motic A registered trade mark of Speed Fair Co., Ltd., Hong Kong Web site: <http://www.motic.com>

Motic certified ISO 9001