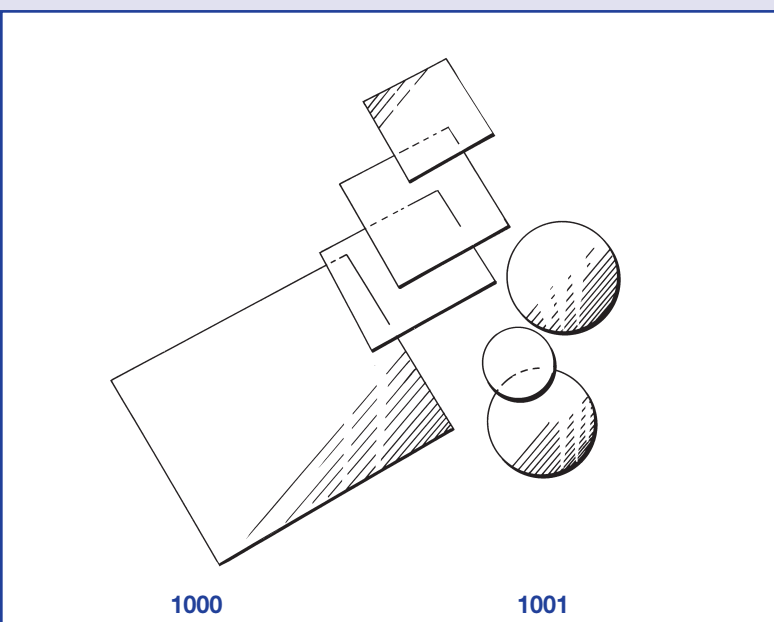
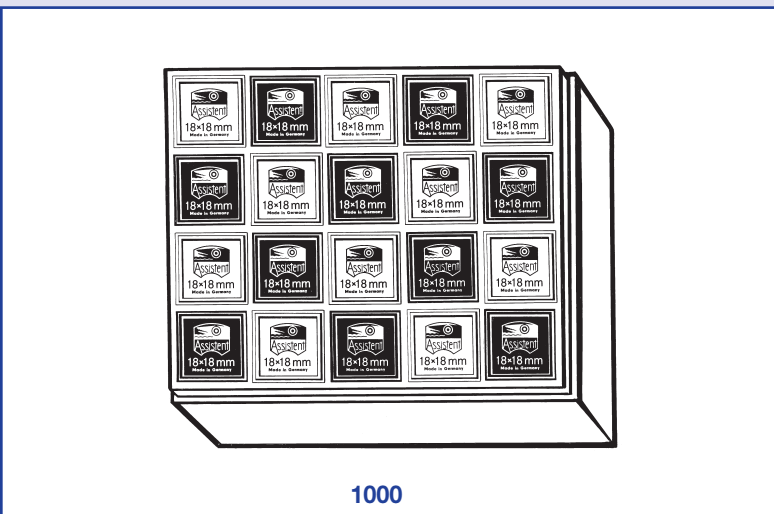
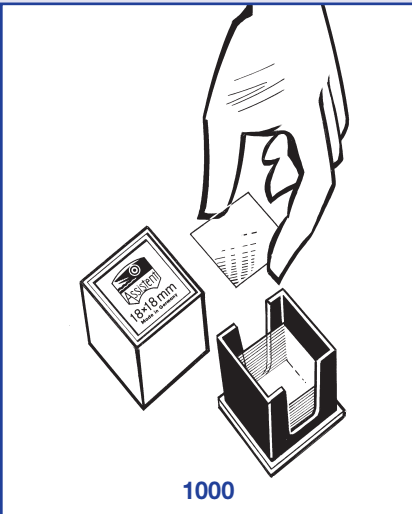




# Microscopic and Staining Utensils



## “Assistent” Microscopical Cover Glasses, CE

### “Assistent” Cover glasses

Selected glass quality as specified at previous page, hydrolytic class 1, therefore highly resistant and permanent; precisely cut, faultless.

Thickness	Nr. 0	0,08–0,12 mm
	Nr. 1	0,13–0,16 mm
	Nr. 1½	0,16–0,19 mm
	Nr. 2	0,19–0,23 mm

Thickness No. 1 will be supplied if not otherwise stated in the order.

**Cover-glasses in thickness 0, 1½ and 2 are especially produced and can not be returned or exchanged.**

Packing: Plastic boxes of 50 or 100 glasses, 20 or 10 boxes (1000 glasses) in a carton. Two sides of the boxes of most standard sizes are cut out as illustrated, for convenient removal of single cover glasses.

### Sizes of No. 990 and 1000

<b>12x12</b>	<b>15x15</b>	<b>18x18</b>	<b>20x20</b>	<b>22x22</b>	<b>mm</b>
<b>24x24</b>	<b>24x18</b>	<b>26x21</b>	<b>30x24</b>	<b>32x22</b>	<b>mm</b>
40x22	<b>32x24</b>	<b>36x24</b>	<b>40x24</b>	40x25	mm
<b>46x24</b>	<b>50x24</b>	50x25	55x24	55x25	mm
60x22	<b>60x24</b>	60x25			mm

### 990 “Assistent”-Cover glasses

in plastic boxes of 100 pcs,  
10 boxes (1000 pcs) in a carton

### 1000 “Assistent”-Cover glasses

in plastic boxes of 50 pcs,  
20 boxes (1000 pcs) in a carton

### 1001 “Assistent”-Cover glasses

in plastic boxes of 100 pcs,  
10 boxes (1000 pcs) in a carton

diam. 10 12 13 14 15 18 20 22 24 25 30 mm

### “Assistent” Cover glasses, selected thickness

**1014** thickness 0,17 ± 0,01 mm

**1015** thickness 0,17 ± 0,02 mm

Sizes:

18x18 20x20 22x22 24x24 26x21 32x24 mm  
40x24 50x24 mm

Special sizes are also available.

High quality microscope objectives are adjusted to be used with cover glasses of thickness No. 1. Therefore it is essential to use cover glasses of the correct thickness

Standard sizes (in bold type) are generally available from stock. Special sizes (especially larger ones as mentioned) can also be manufactured within short.